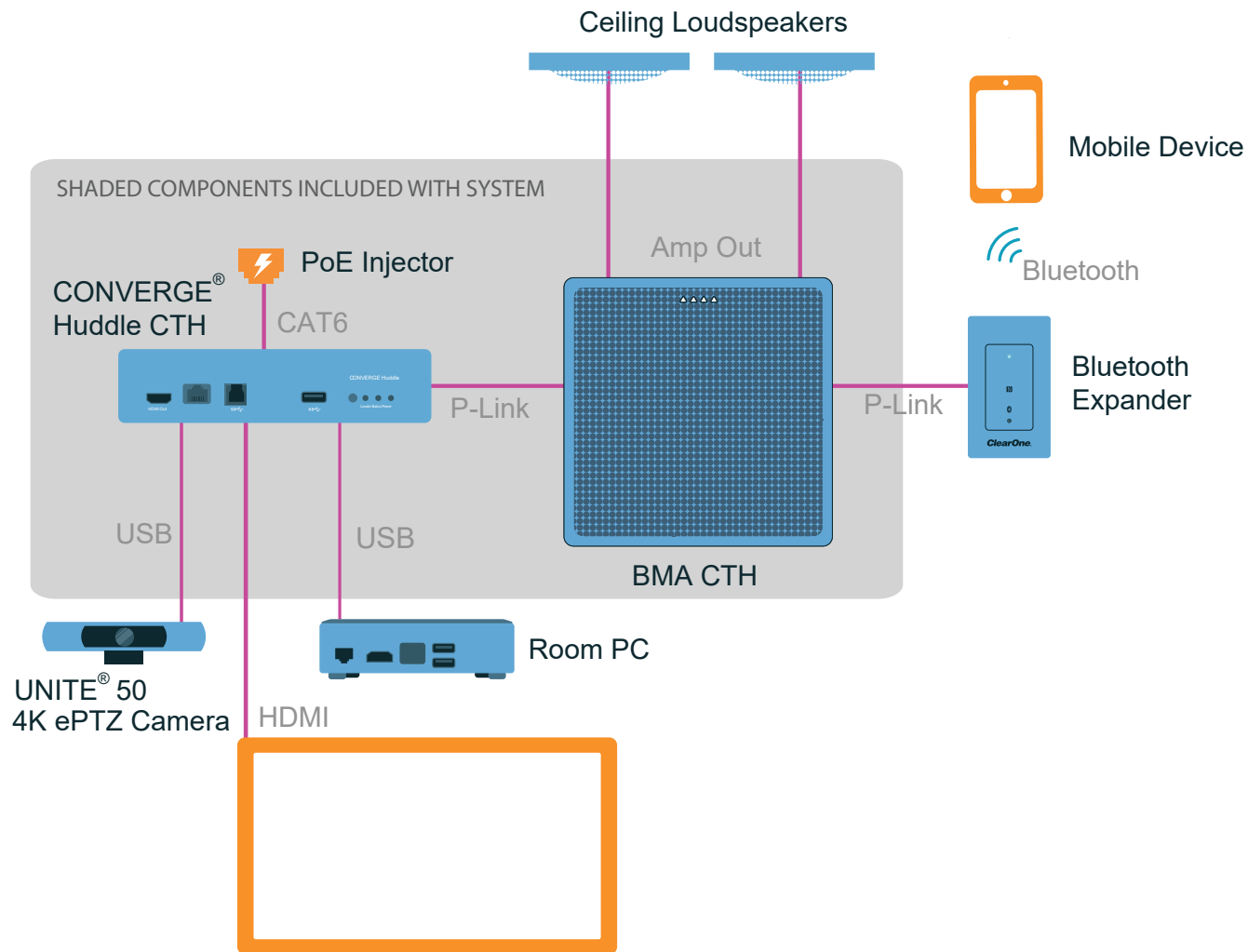


# COLLABORATE® Versa Solutions

COLLABORATE Versa Solution		Versa Pro CT	Versa Room CT	Versa Room CT Flex	Versa Lite CT	Versa Pro 150	Versa Pro 50	Versa 150	Versa 50
<b>SKUs</b>		930-3200-206 930-3200-206-I	930-3200-020 930-3200-020-I	930-3200-025-U 930-3200-025-I	930-3200-010 930-3200-010-I	930-3200-150	930-3200-050	930-3001-150	930-3001-050
<b>Included Components</b>									
<b>DSP</b>	<b>CONVERGE® Huddle DSP</b>	✓				✓	✓		
<b>Mics/Spkrs</b>	<b>BMA CTH</b>	✓	✓	✓	✓				
	<b>CHAT® 150 Speakerphone</b>							✓	✓
	<b>Ceiling Microphone Array</b>					✓	✓		
	<b>Ceiling Speakers</b>		✓						
<b>Cameras</b>	<b>UNITE® 50 4K ePTZ Camera</b>		✓	✓			✓		✓
	<b>UNITE® 150 PTZ Camera</b>					✓		✓	
<b>Hub</b>	<b>COLLABORATE® Versa™ Hub</b>		✓	✓	✓			✓	✓
<b>Features</b>									
<b>CONVERGENCE™ AV Network Management support</b>		✓				✓	✓		
<b>Analog Mic/Line Inputs and Outputs</b>		✓				✓	✓		
<b>CONVERGE® Bluetooth Expander Support</b>		✓	✓	✓	✓	✓	✓		
<b>CONSOLE® AI Configuration</b>		✓				✓	✓		
<b>CONSOLE® AI Lite Configuration</b>			✓	✓	✓				
<b>Built-in Acoustic Echo Cancellation (AEC) and Noise Cancellation (NC)</b>		✓	✓	✓	✓	✓	✓	✓	✓
<b>Beamforming with Adaptive Steering (think of it as smart switching)</b>		✓	✓	✓	✓				
<b>Built-in Power Amplifiers</b>		✓	✓	✓	✓	✓	✓		
<b>Can add external power amplifiers</b>		✓				✓	✓		
<b>USB Audio</b>		✓	✓	✓	✓	✓	✓	✓	✓
<b>HDMI Output</b>		✓	✓	✓		✓	✓	✓	✓
<b>USB Type-A port for connecting camera</b>		✓	✓	✓		✓	✓	✓	✓
<b>PoE Powered with one PoE Injector Included</b>		✓	✓	✓	✓				
<b>BYOD Conferencing</b>		✓	✓	✓	✓	✓	✓	✓	✓

# COLLABORATE® Versa Pro CT



SKUs

930-3200-206  
930-3200-206-I

PRODUCT PAGE

DATASHEET

## SALES AND INQUIRIES

### Headquarters

5225 Wiley Post Way  
Suite 500  
Salt Lake City, UT 84116

### US & Canada

Tel: +1.801.975.7200

### International

Tel: +1.801.975.7200

### Sales

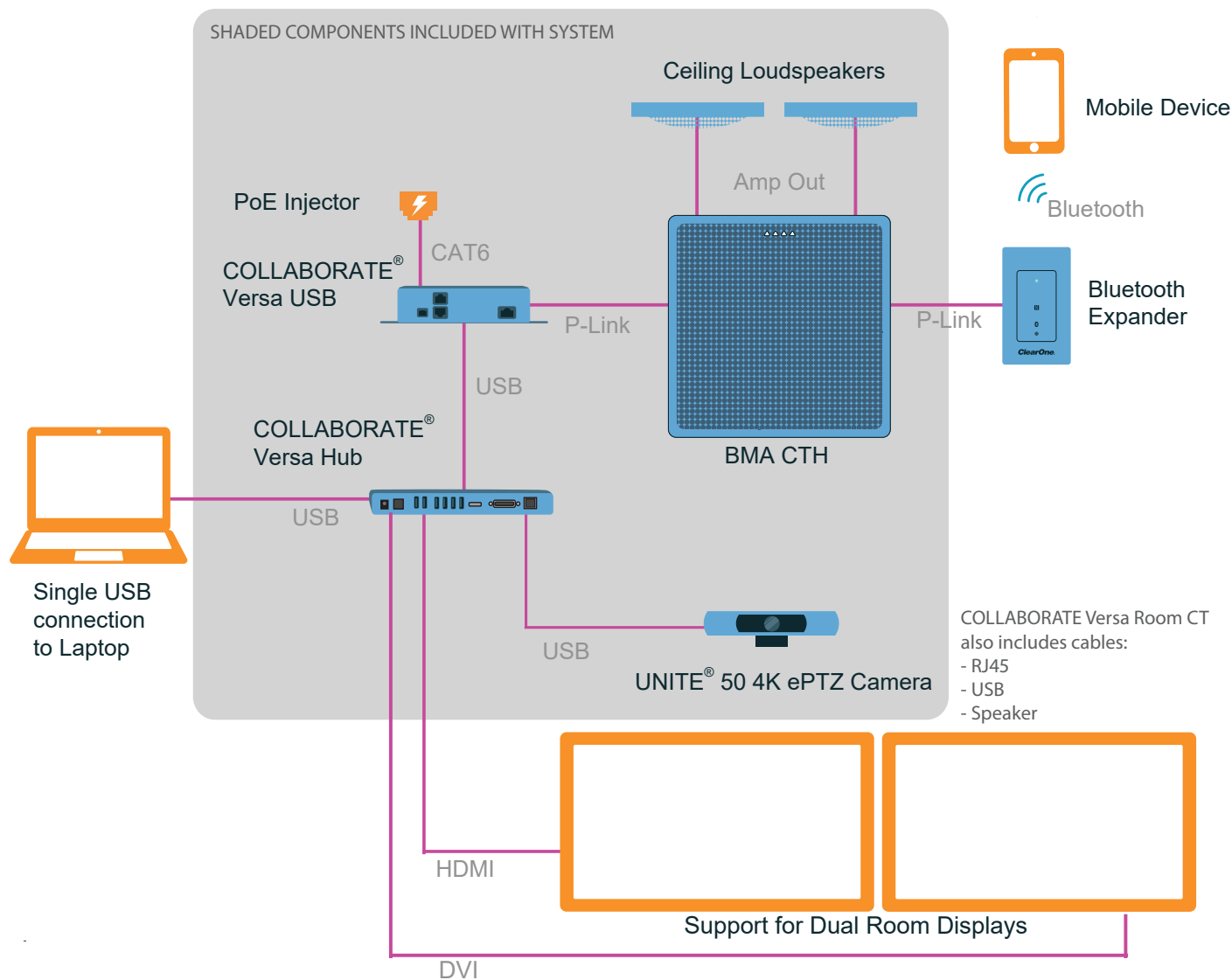
Tel: +1.801.975.7200  
sales@clearone.com

### TechSupport

Tel: +1.801.974.3760  
tech.support@clearone.com

Other product names and logos may be registered trademarks of their respective owners who do not necessarily endorse ClearOne or ClearOne's products. All rights reserved. Information in this document subject to change without notice. DST-0160-001 Rev1.4 20220324 ©2022 ClearOne.

# COLLABORATE® Versa Room CT



SKUs

930-3200-020  
930-3200-020-I

PRODUCT PAGE

DATASHEET

## SALES AND INQUIRIES

### Headquarters

5225 Wiley Post Way  
Suite 500  
Salt Lake City, UT 84116

### US & Canada

Tel: +1.801.975.7200

### International

Tel: +1.801.975.7200

### Sales

Tel: +1.801.975.7200  
sales@clearone.com

### TechSupport

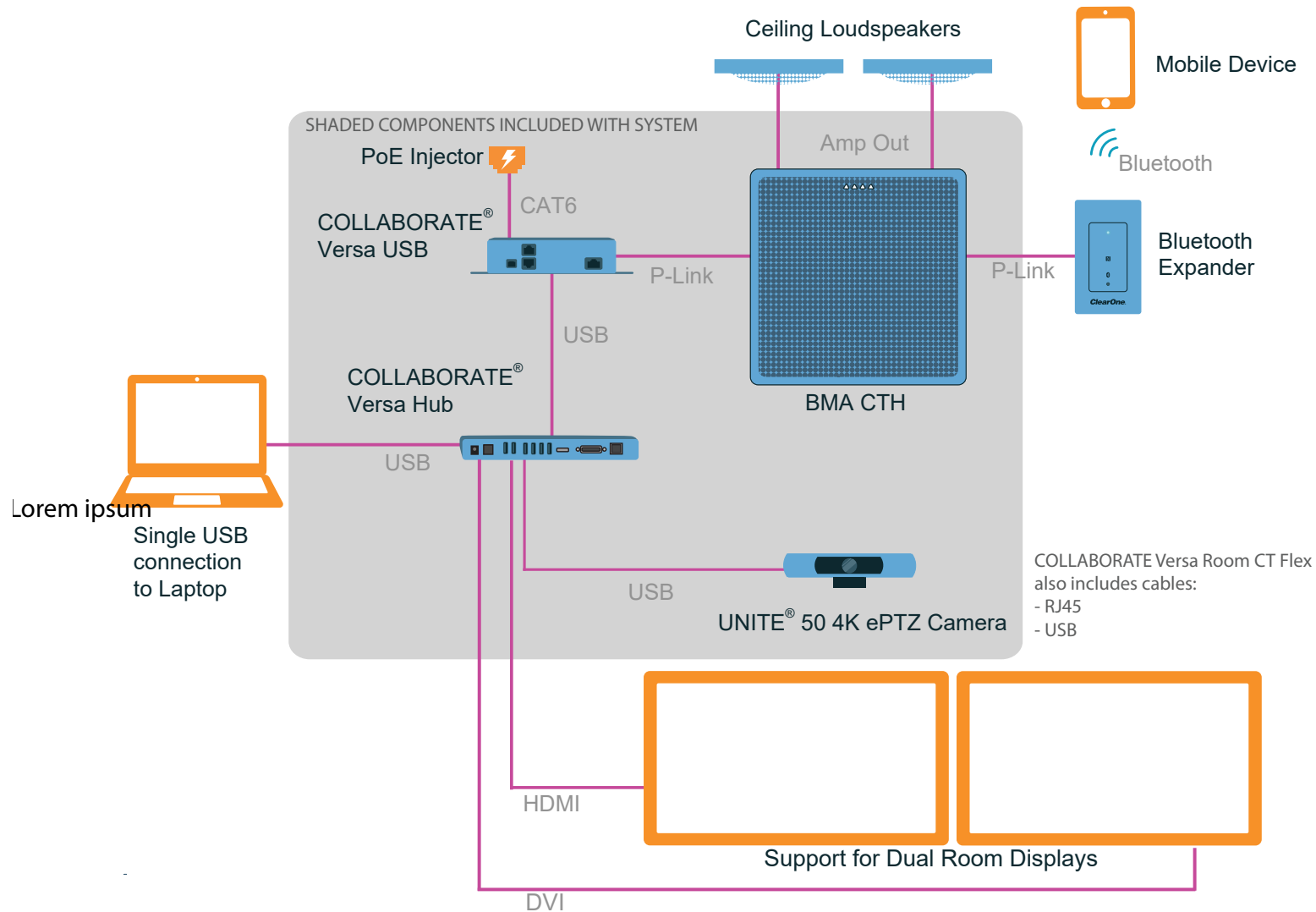
Tel: +1.801.974.3760  
tech.support@clearone.com

# COLLABORATE® Versa Room CT Flex

SKUs

930-3200-025-U  
930-3200-025-I

DATASHEET



## SALES AND INQUIRIES

### Headquarters

5225 Wiley Post Way  
Suite 500  
Salt Lake City, UT 84116

### US & Canada

Tel: +1.801.975.7200

### International

Tel: +1.801.975.7200

### Sales

Tel: +1.801.975.7200  
sales@clearone.com

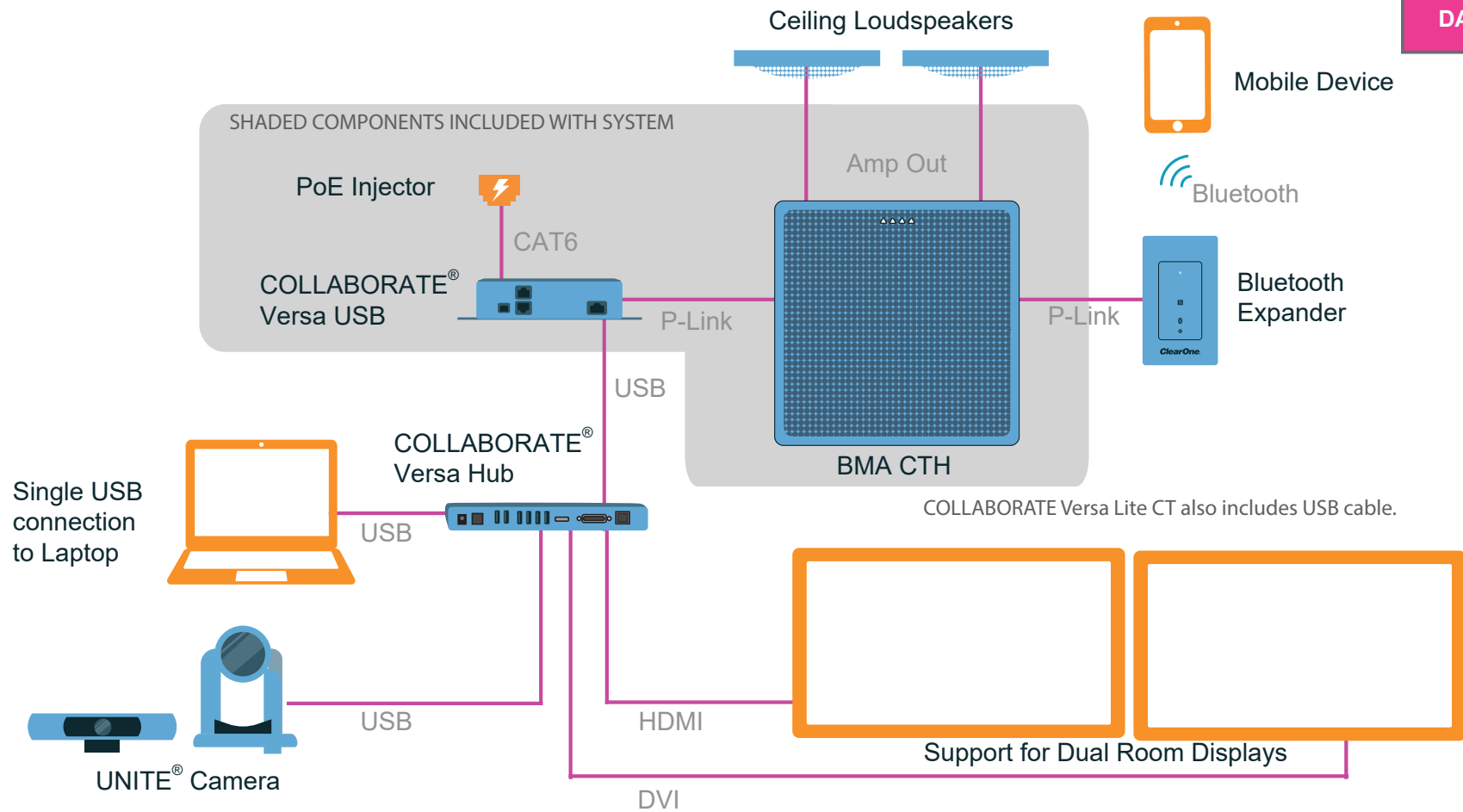
### TechSupport

Tel: +1.801.974.3760  
tech.support@clearone.com

Other product names and logos may be registered trademarks of their respective owners who do not necessarily endorse ClearOne or ClearOne's products. All rights reserved. Information in this document subject to change without notice. DST-0160-001 Rev1.4 20220324 ©2022 ClearOne.

# COLLABORATE® Versa Lite CT

<b>SKUs</b>
930-3200-010 930-3200-010-I
<b>PRODUCT PAGE</b>
<b>DATASHEET</b>



## SALES AND INQUIRIES

### Headquarters

5225 Wiley Post Way  
Suite 500  
Salt Lake City, UT 84116

### US & Canada

Tel: +1.801.975.7200

### International

Tel: +1.801.975.7200

### Sales

Tel: +1.801.975.7200  
sales@clearone.com

### TechSupport

Tel: +1.801.974.3760  
tech.support@clearone.com

Other product names and logos may be registered trademarks of their respective owners who do not necessarily endorse ClearOne or ClearOne's products. All rights reserved. Information in this document subject to change without notice. DST-0160-001 Rev1.4 20220324 ©2022 ClearOne.

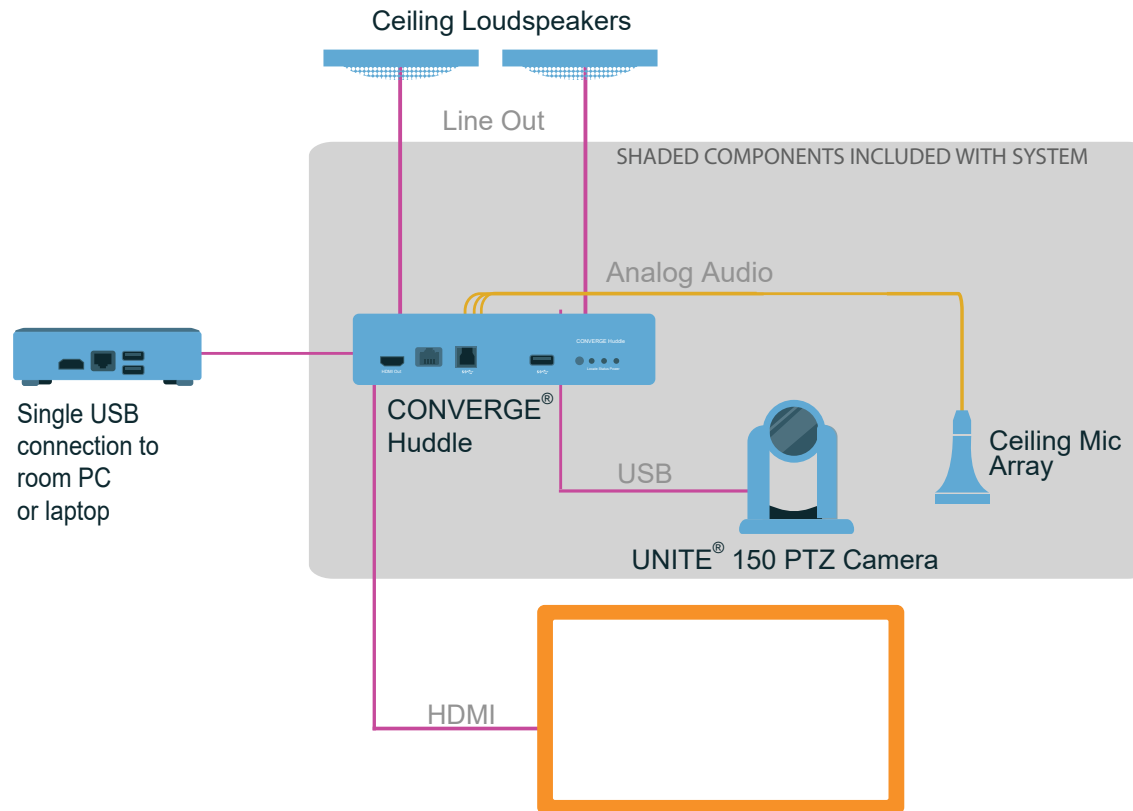
# COLLABORATE® Versa Pro 150

SKUs

930-3200-150

PRODUCT PAGE

DATASHEET



## SALES AND INQUIRIES

### Headquarters

5225 Wiley Post Way  
Suite 500  
Salt Lake City, UT 84116

### US & Canada

Tel: +1.801.975.7200

### International

Tel: +1.801.975.7200

### Sales

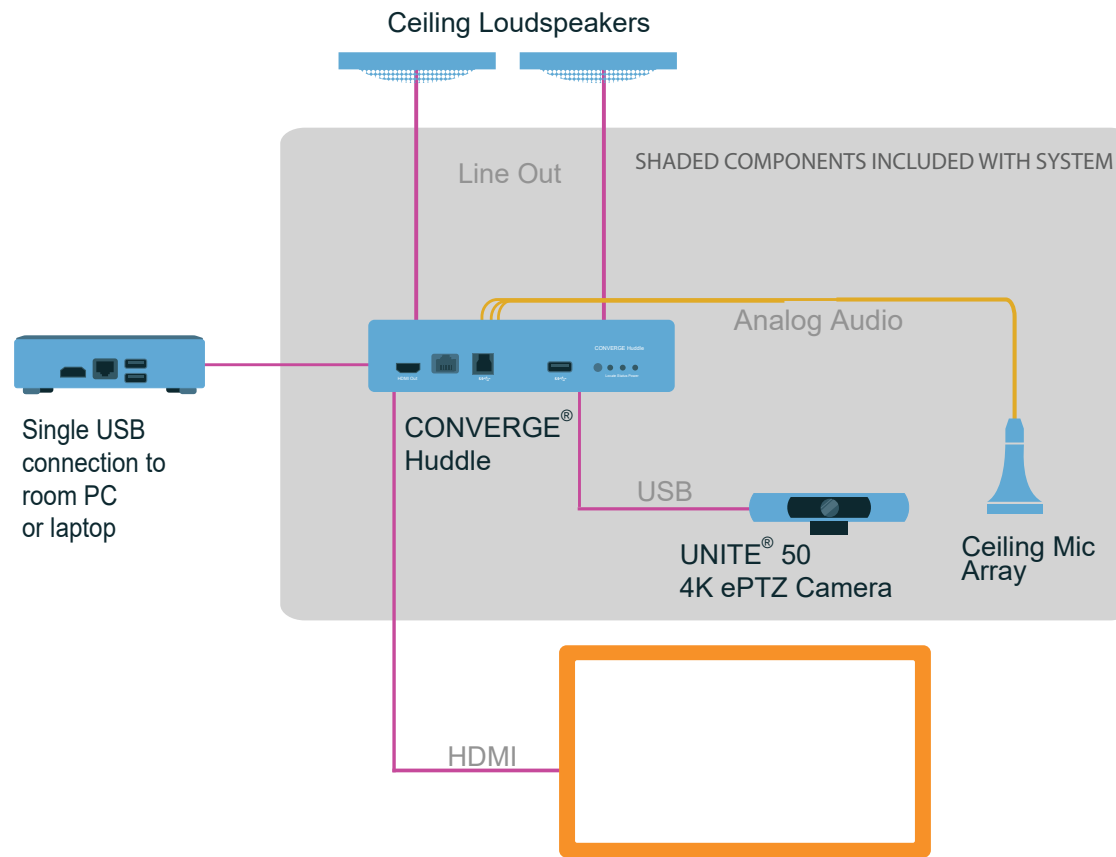
Tel: +1.801.975.7200  
sales@clearone.com

### TechSupport

Tel: +1.801.974.3760  
tech.support@clearone.com

Other product names and logos may be registered trademarks of their respective owners who do not necessarily endorse ClearOne or ClearOne's products. All rights reserved. Information in this document subject to change without notice. DST-0160-001 Rev1.4 20220324 ©2022 ClearOne.

# COLLABORATE® Versa Pro 50



SKUs

930-3200-050

PRODUCT PAGE

DATASHEET

## SALES AND INQUIRIES

### Headquarters

5225 Wiley Post Way  
Suite 500  
Salt Lake City, UT 84116

### US & Canada

Tel: +1.801.975.7200

### International

Tel: +1.801.975.7200

### Sales

Tel: +1.801.975.7200  
sales@clearone.com

### TechSupport

Tel: +1.801.974.3760  
tech.support@clearone.com

Other product names and logos may be registered trademarks of their respective owners who do not necessarily endorse ClearOne or ClearOne's products. All rights reserved. Information in this document subject to change without notice. DST-0160-001 Rev1.4 20220324 ©2022 ClearOne.

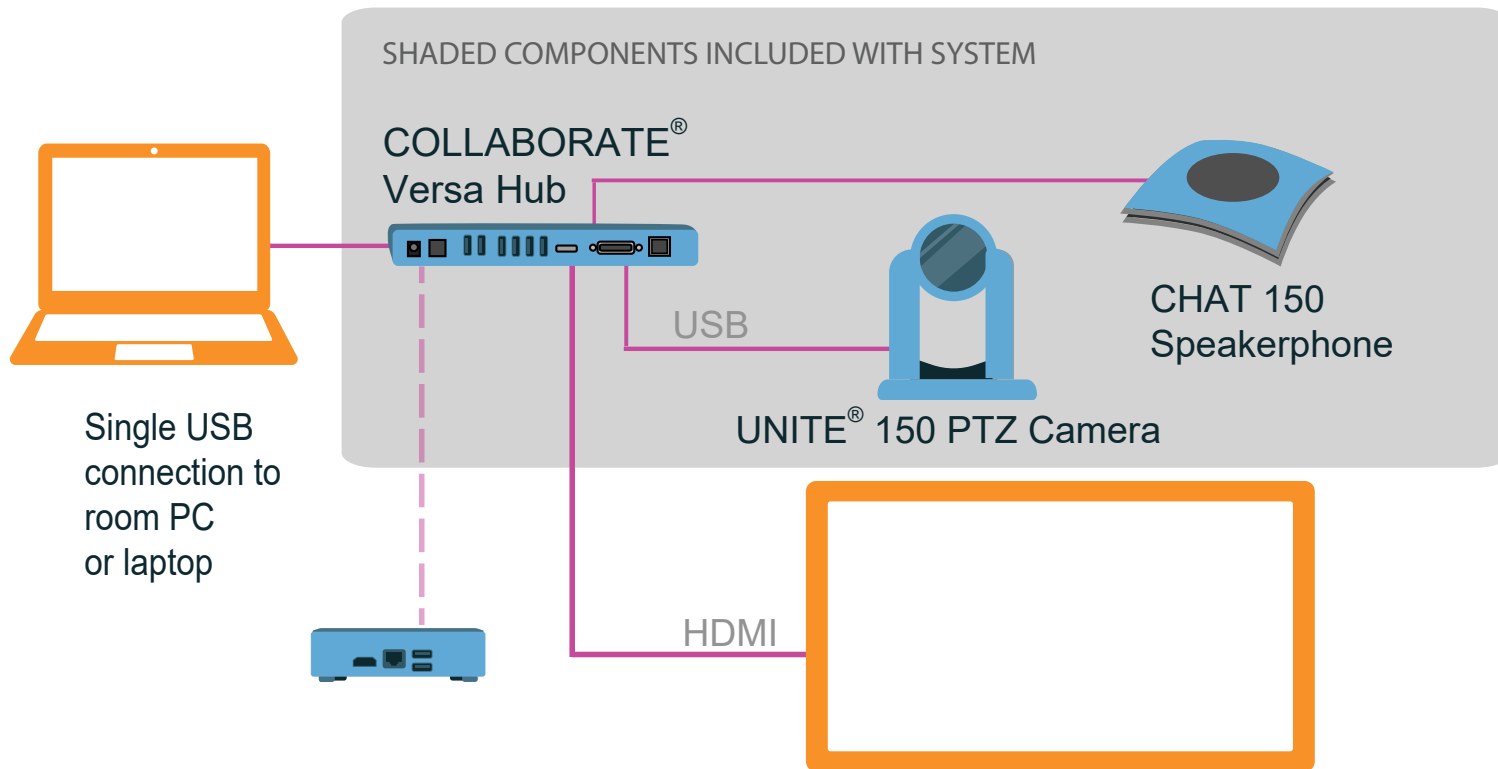
# COLLABORATE® Versa 150

SKUs

930-3001-150

PRODUCT PAGE

DATASHEET



## SALES AND INQUIRIES

### Headquarters

5225 Wiley Post Way  
Suite 500  
Salt Lake City, UT 84116

### US & Canada

Tel: +1.801.975.7200

### International

Tel: +1.801.975.7200

### Sales

Tel: +1.801.975.7200  
sales@clearone.com

### TechSupport

Tel: +1.801.974.3760  
tech.support@clearone.com

Other product names and logos may be registered trademarks of their respective owners who do not necessarily endorse ClearOne or ClearOne's products. All rights reserved. Information in this document subject to change without notice. DST-0160-001 Rev1.4 20220324 ©2022 ClearOne.



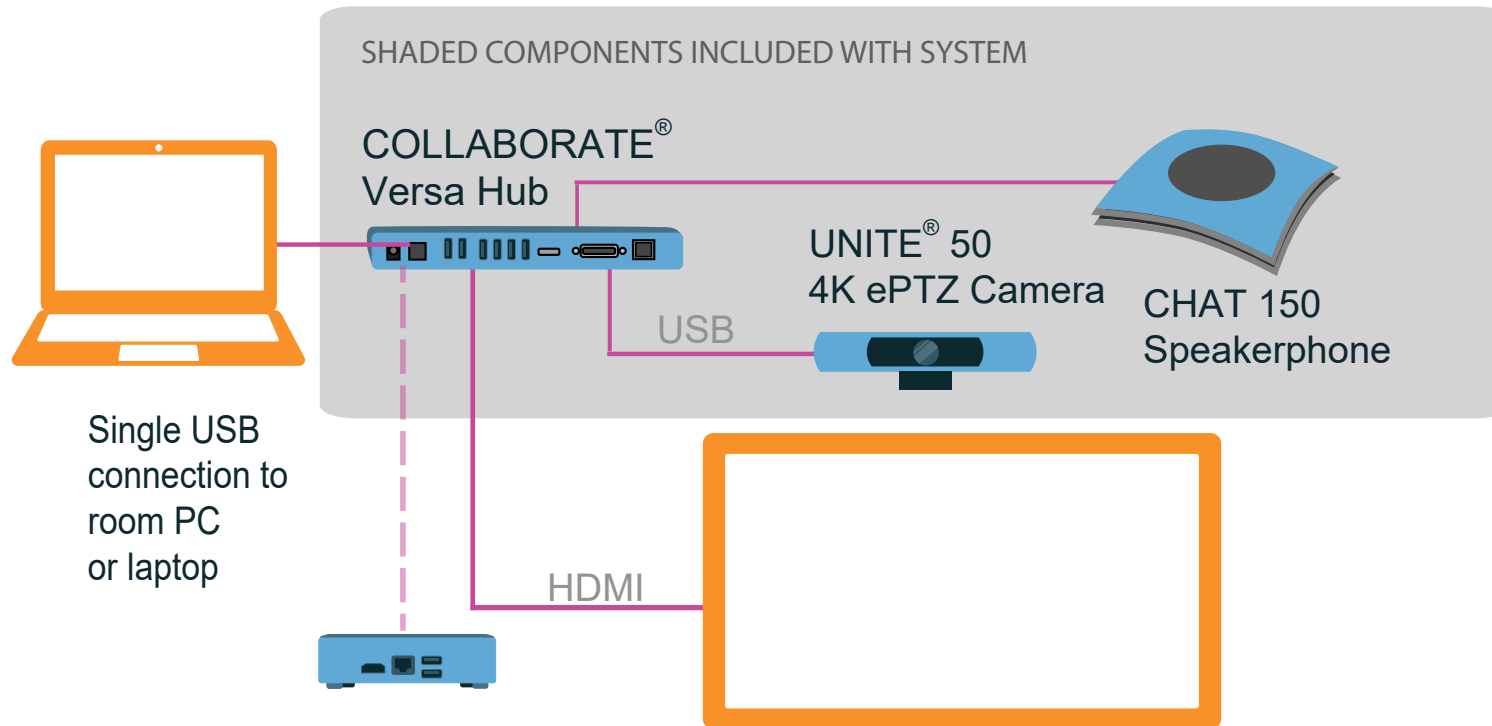
# COLLABORATE® Versa 50

SKUs

930-3001-050

PRODUCT PAGE

DATASHEET



## SALES AND INQUIRIES

### Headquarters

5225 Wiley Post Way  
Suite 500  
Salt Lake City, UT 84116

### US & Canada

Tel: +1.801.975.7200

### International

Tel: +1.801.975.7200

### Sales

Tel: +1.801.975.7200  
sales@clearone.com

### TechSupport

Tel: +1.801.974.3760  
tech.support@clearone.com

Other product names and logos may be registered trademarks of their respective owners who do not necessarily endorse ClearOne or ClearOne's products. All rights reserved. Information in this document subject to change without notice. DST-0160-001 Rev1.4 20220324 ©2022 ClearOne.